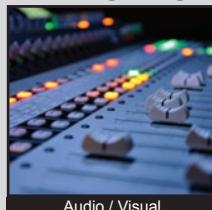


# ULV4 SERIES ANTI-VANDAL SWITCH

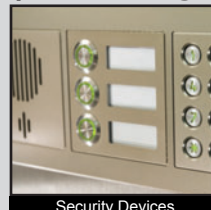
ANTI-VANDAL SWITCHES  
DETECTOR SWITCHES  
DIP SWITCHES  
KEYLOCK SWITCHES  
NAVIGATION SWITCHES  
PUSHBUTTON SWITCHES  
ROCKER SWITCHES  
ROTARY SWITCHES  
SLIDE SWITCHES  
SNAP ACTION SWITCHES  
TACTILE SWITCHES  
TOGGLE SWITCHES  
CAP OPTIONS



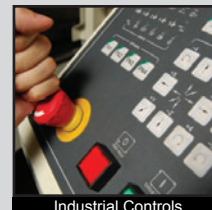
## APPLICATIONS / MARKETS



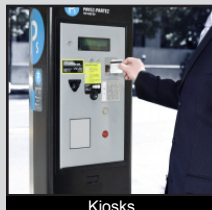
Audio / Visual



Security Devices



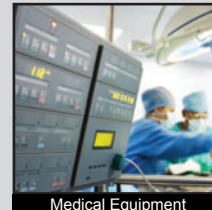
Industrial Controls



Kiosks



Electrical Housewares



Medical Equipment



RoHS

## SPECIFICATIONS

**Electrical Rating:** 3A, 250VAC  
**Mechanical Life:** 1,000,000 cycles (momentary); 500,000 cycles (latching)  
**Electrical Life:** 50,000 Cycles  
**Contact Resistance:** 50mΩ  
**Insulation Resistance:** 1000 MΩ @ 500VDC  
**Dielectric Strength:** 2,000VAC  
**Operating/Storage Temperature:** -20°C to 55°C  
**Travel:** 3.2mm  
**Moisture Protection:** IP67  
**Contact Arrangement:** SPDT or DPDT  
**Actuation Force:** Single Pole: 2.5N; Double Pole: 3.5N  
**Panel Thickness:** 1-10mm  
**Hex Nut Torque:** 5-14Nm  
**Mechanical Impact Protection:** IK10  
**Agency Approvals:** cURus

## FEATURES & BENEFITS

- 19mm diameter panel cutout
- Dot or ring or power illumination options available
- Multiple switch functions available
- Multiple illumination voltage options
- IP67 rated
- SPDT or DPDT
- UL Listed
- Custom graphics available

## PART NUMBER CONFIGURATOR

| Series | Actuator Options | Terminal Options | Function Options   | Body Finish Options  | Actuator Finish Options  | Contact Material Options  | Lens Style Options   | LED Color Options   | Illumination Voltage Options   |
|--------|------------------|------------------|--|--|--|---------------------------|--|---|--|
| ULV4   | F - Flat         | 2 - Solder       | 3 - 1P ON-ON<br>B - 1P ON-(ON)*<br>G - 2P ON-ON<br>H - 2P ON-(ON)* | N - Nickel Plated<br>S - Stainless Steel<br>1 - Black Anodized | N - Nickel Plated<br>S - Stainless Steel<br>1 - Black Anodized | None - Silver<br>G - Gold | None - Non-Illuminated<br>2 - Dot Illumination<br>3 - Ring, moveable with actuator<br>5 - Power symbol | None - Non-Illuminated<br>0 - White<br>1 - Red<br>2 - Orange<br>3 - Green<br>4 - Blue<br>5 - Yellow | None - Non-Illuminated<br>1 - 3V<br>3 - 6V<br>4 - 12V<br>5 - 24V<br>6 - 110V<br>7 - 220V |

**NOTES:**  
 \*( ) denotes function is momentary  
 Call us for custom graphic options 800-867-2717

Specifications subject to change without notice



E-SWITCH®

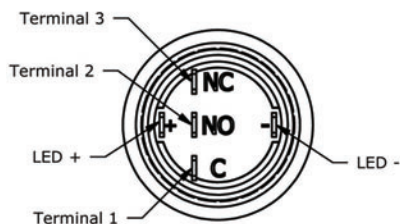
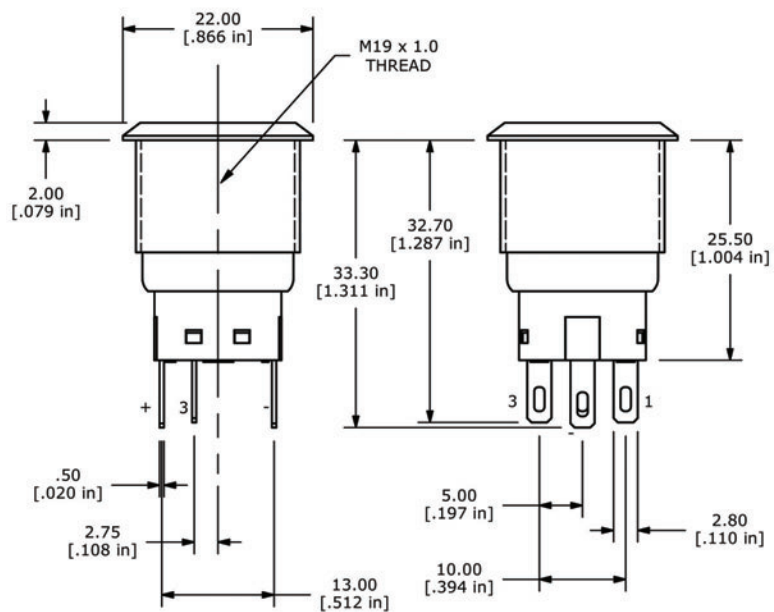
www.e-switch.com

800.867.2717

2

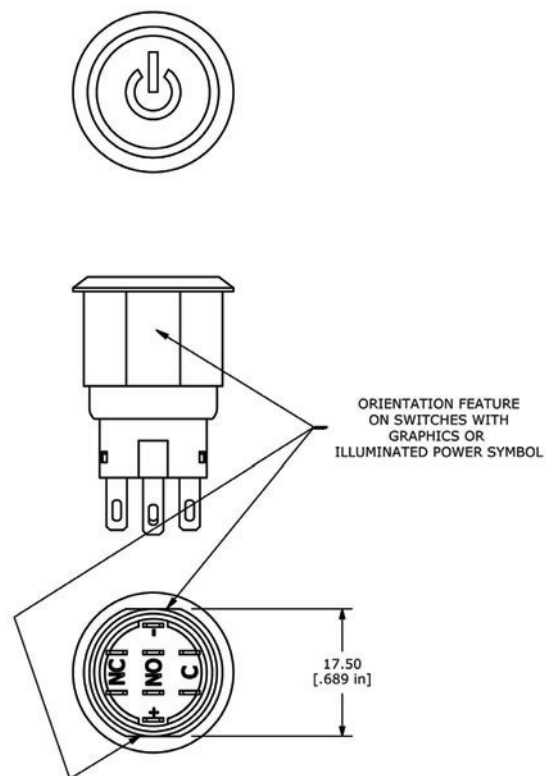
# ULV4 SERIES ANTI-VANDAL SWITCH

## BODY DIMENSIONS - SPDT



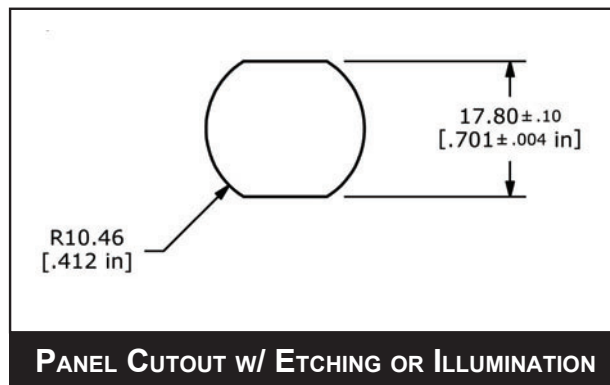
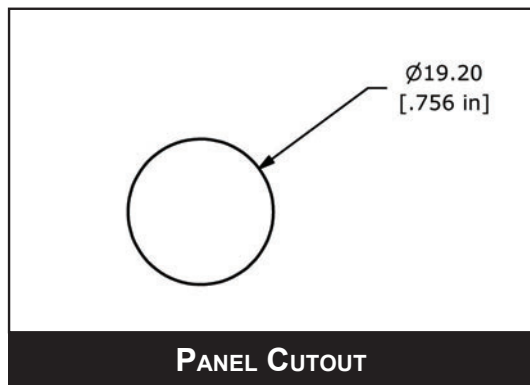
SPDT Illuminated Option Shown.  
The LED + and - terminals are not included on the non-illuminated options

### SPDT SWITCH DIMENSIONS



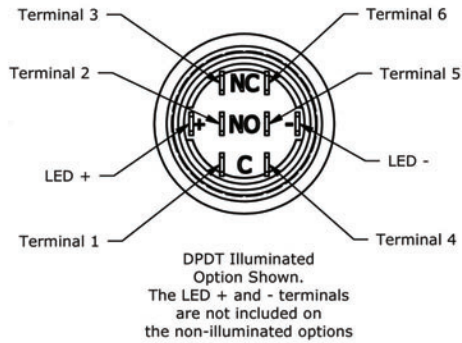
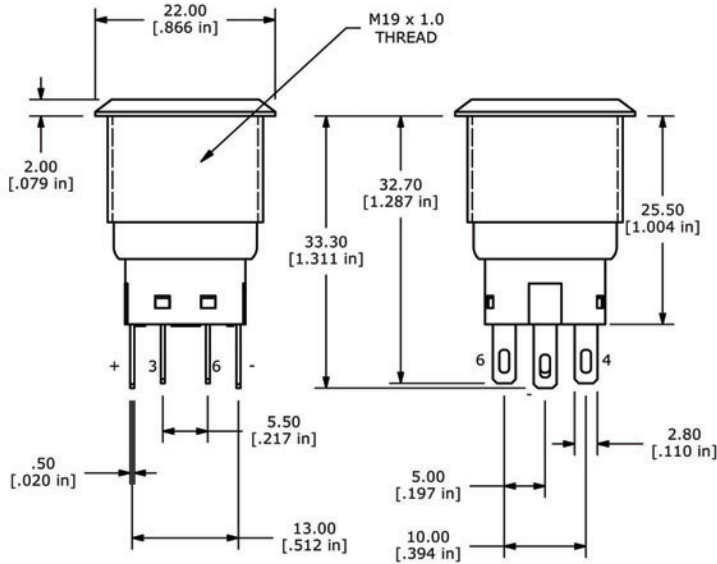
SEE STANDARD SINGLE POLE OR DOUBLE POLE DIMENSIONAL LAYOUT FOR ALL OTHER DIMENSIONS

### GRAPHIC OPTIONS

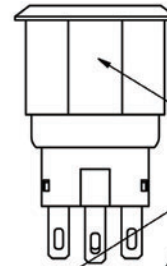
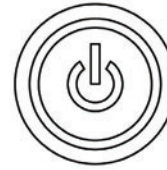


# ULV4 SERIES ANTI-VANDAL SWITCH

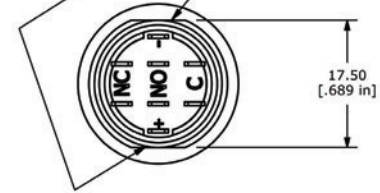
## BODY DIMENSIONS - DPDT



DPDT SWITCH DIMENSIONS

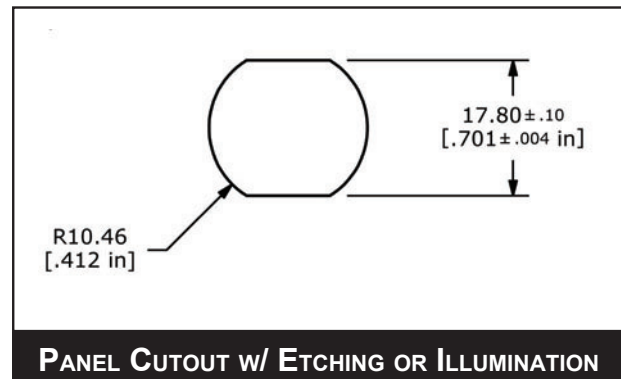
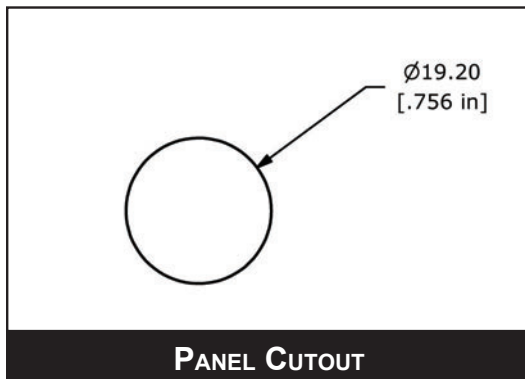


ORIENTATION FEATURE ON SWITCHES WITH GRAPHICS OR ILLUMINATED POWER SYMBOL



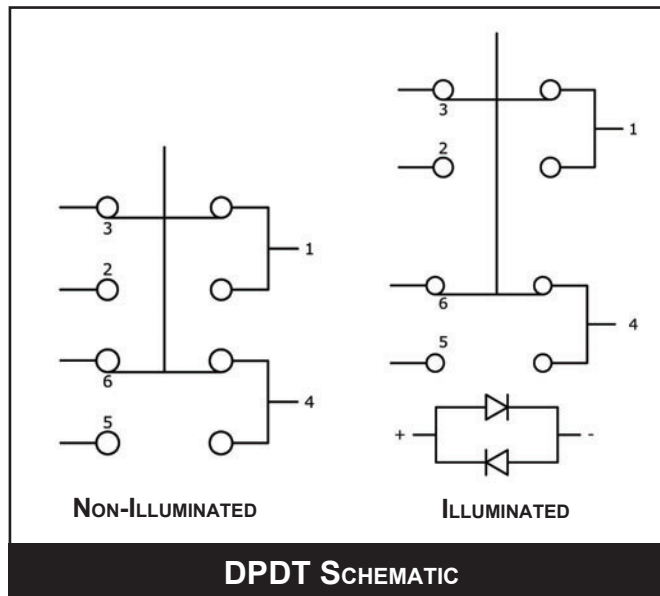
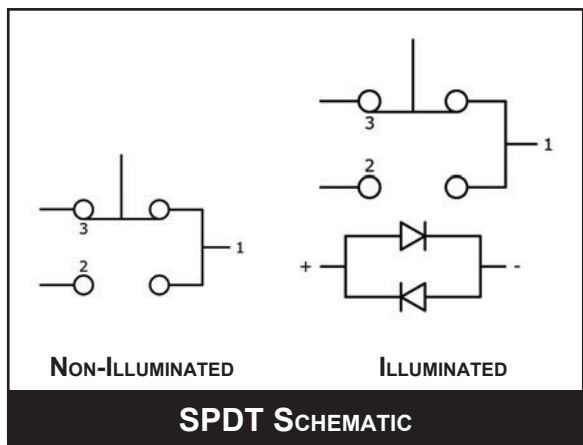
SEE STANDARD SINGLE POLE OR DOUBLE POLE DIMENSIONAL LAYOUT FOR ALL OTHER DIMENSIONS

GRAPHIC OPTIONS



# ULV4 SERIES ANTI-VANDAL SWITCH

## SCHEMATICS



## ACTUATOR OPTIONS

